

Radiation Hardened PRAM Four Channel Programmable Operational Amplifier

HS-2400RH is a four-channel programmable amplifier providing a level of versatility unsurpassed by any other monolithic operational amplifier. Versatility is achieved by employing four input amplifier channels, any one (or none) of which may be electronically selected and connected to a single output stage through DTL/TTL compatible address inputs. The device formed by the output and the selected pair of inputs is an op amp which delivers excellent slew rate, gain bandwidth and power bandwidth performance. Other advantageous features for these dielectrically isolated amplifiers include high voltage gain and input impedance coupled with low input offset voltage and offset current. External compensation is not required on this device at closed loop gains greater than 10.

Each channel of the HS-2400RH can be controlled and operated with suitable feedback networks in any of the standard op amp configurations. This specialization makes these amplifiers excellent components for multiplexing signal selection and mathematical function designs. With 20V/μs slew rate, 20MHz gain bandwidth and low input bias currents make these devices ideal building blocks for signal generators, active filters and data acquisition designs. Programmability, coupled with 9mV maximum offset voltage and 50nA offset current, make these amplifiers outstanding components for signal conditioning circuits.

Specifications for Rad Hard QML devices are controlled by the Defense Supply Center in Columbus (DSCC). The SMD numbers listed here must be used when ordering.

Detailed Electrical Specifications for these devices are contained in SMD 5962-95684. A "hot-link" is provided on our homepage for downloading. <http://www.intersil.com/spacedefense/space.htm>

Ordering Information

ORDERING NUMBER	INTERNAL MKT. NUMBER	TEMP. RANGE (°C)
5962D9568401VEA	HS1-2400RH-Q	-55 to 125

Features

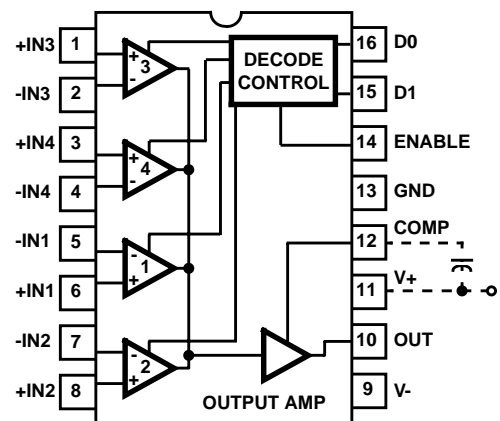
- Electrically Screened to SMD # 5962-95684
- QML Qualified per MIL-PRF-38535 Requirements
- Total Dose 10 krad(Si) (Max)
- Digital Programmability
- High Rate Slew
 - Uncompensated 20V/μs Min
 - Compensated 6V/μs Min
- Wide Gain Bandwidth
 - Uncompensated 20MHz Min
 - Compensated 4MHz Min
- High Gain 50kV/V Min
- Low Offset Current 50nA Max
- Single Capacitor Compensation for Unity Gain
- DTL/TTL Compatible Inputs

Applications

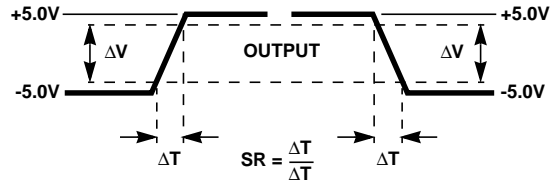
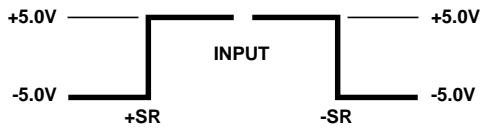
- Signal Selection/Multiplexing
- Operational Amplifier Gain Stage
- Oscillator Frequency
- Filter Characteristics
- Add-Subtract Functions
- Integrator Characteristics
- Comparator Levels

Pinout

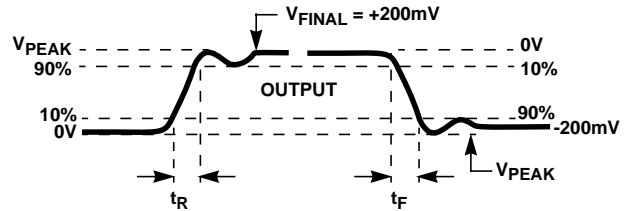
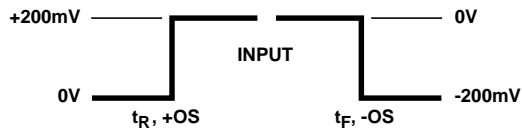
16 LEAD CERAMIC DUAL-IN-LINE FRIT SEAL PACKAGE (CERDIP) MIL-STD-1835 GDIP-T16 TOP VIEW



Test Waveforms



SLEW RATE WAVEFORMS



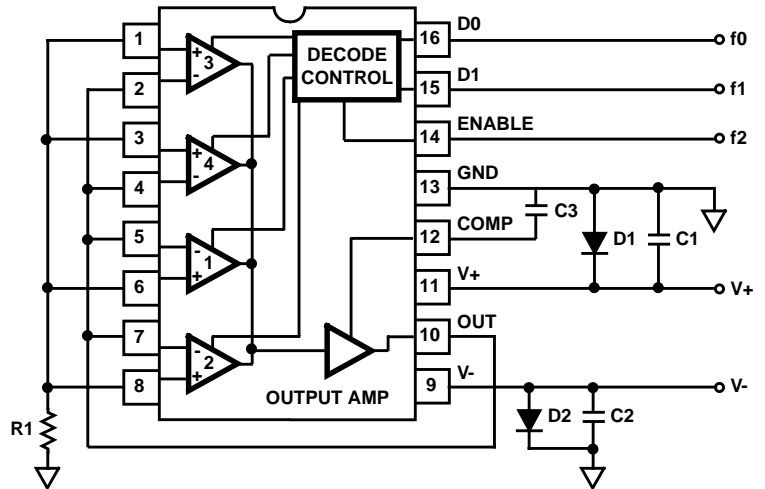
OVERSHOOT, RISE AND FALL TIME WAVEFORMS

Burn-In Circuit

HS-2400RH CERDIP

NOTES:

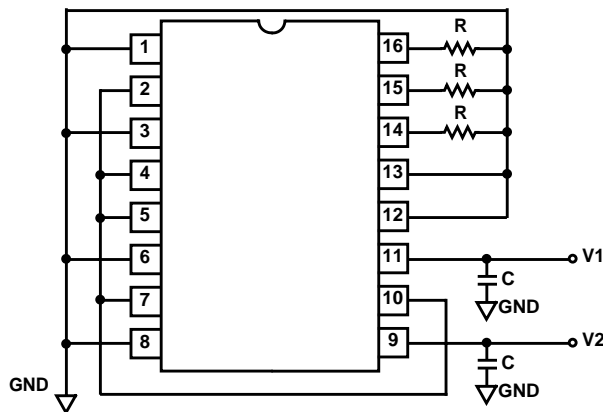
1. R1 = 100kΩ,/Socket, 5%, 1/4W (Min).
2. C1 = C2 = 0.01μF/Socket (Min) or 0.1μF/Row (Min).
3. C3 = 0.001μF/Socket, 10%.
4. D1 = D2 = 1N4002 or equivalent (per board).
5. |(V+) - (V-)| = 30V.
6. Duty Cycle 50% for: f0 = 100kHz, f1 = 50kHz, f2 = 25kHz



Irradiation Circuit

NOTES:

7. V1 = +15V.
8. V2 = -15V.
9. R = 1 Meg Ω.
10. C = 0.1μF.



HS-2400RH

Die Characteristics

DIE DIMENSIONS:

88 mils x 67 mils x 19 mils ± 1 mils
2240 μ m x 1710 μ m x 483 μ m $\pm 25.4\mu$ m

INTERFACE MATERIALS:

Top Metallization:

Type: Al, 1% Cu
Thickness: 16k \AA ± 2 k \AA

Glassivation:

Type: Nitride (Si₃N₄) over Silox (SiO₂, 5% Phos.).
Silox Thickness: 12k \AA ± 2 k \AA
Nitride Thickness: 3.5k \AA ± 1.5 k \AA

Substrate: Potential (Powered Up)

Unbiased

ADDITIONAL INFORMATION:

Worst Case Current Density:

$< 2 \times 10^5 \text{A/cm}^2$

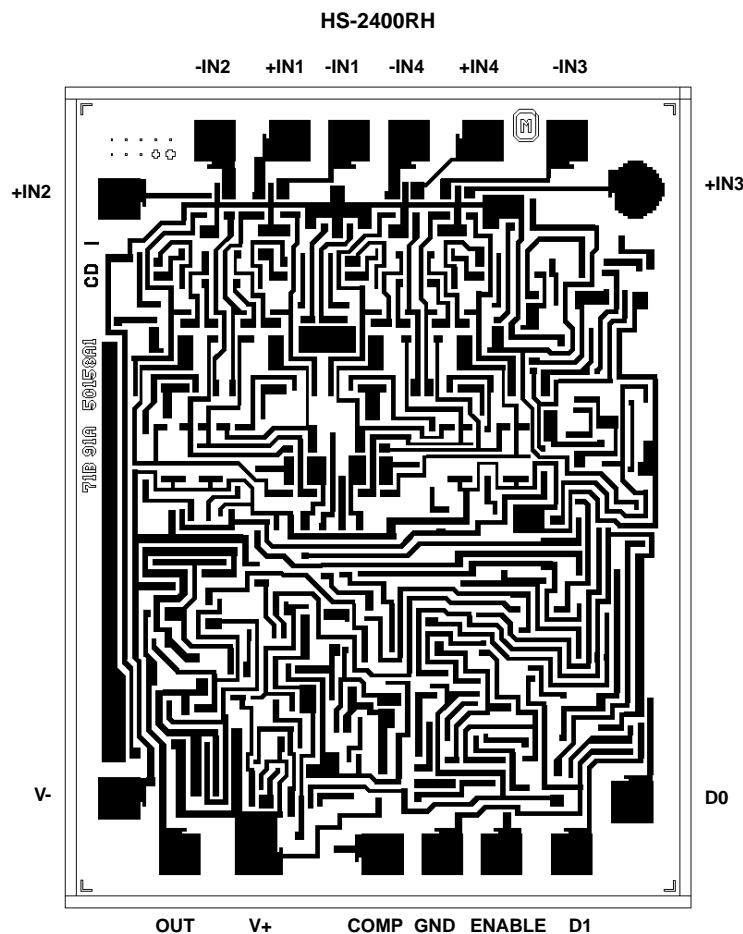
Transistor Count:

251

Process:

Bipolar Dielectric Isolation

Metallization Mask Layout



All Intersil semiconductor products are manufactured, assembled and tested under **ISO9000** quality systems certification.

Intersil semiconductor products are sold by description only. Intersil Corporation reserves the right to make changes in circuit design and/or specifications at any time without notice. Accordingly, the reader is cautioned to verify that data sheets are current before placing orders. Information furnished by Intersil is believed to be accurate and reliable. However, no responsibility is assumed by Intersil or its subsidiaries for its use; nor for any infringements of patents or other rights of third parties which may result from its use. No license is granted by implication or otherwise under any patent or patent rights of Intersil or its subsidiaries.

For information regarding Intersil Corporation and its products, see web site www.intersil.com